

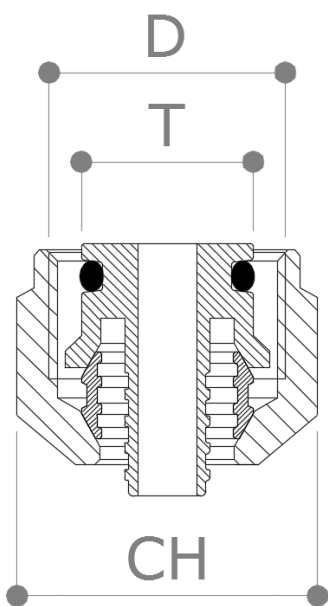


DESCRIPTION

3015

Complete adapter for polyethylene pipe, PEX and PERT.
 For manifolds series **7035** and **K7500**, manual radiator valves, radiator valves with thermostatic option and lockshields.
 Available finishing: yellow, nickel plated, chrome plated
 Conform to standard **EN1254-3**

DIMENSIONS



Type	"16"	"18"	"3/4"
D	22/19 x 1"	23/19 x 1"	3/4"
T	16	18	18
CH	25	26	30
Weight [g]	55	60	60

Dimensions in mm

T = Nominal dimension of internal bore

MATERIALS

- Nut** CW614N (UNI EN 12164) CuZn39Pb3 or CW617N (UNI EN 12165) CuZn40Pb2
- O-Ring** EPDM
- Pipe clamp** CW614N (UNI EN 12164) CuZn39Pb3
- Insert** CW614N (UNI EN 12164) CuZn39Pb3

RECOMMENDED WORKING TEMPERATURE/PRESSURE LIMITS

10 bar – 90°C (always verify the max operating temperature of the pipe)

APPROVALS



Certified pipe dimensions:

- 12/10
- 16/13
- 20/16

AVAILABLE PRODUCTS

	Yellow	Nickel	Chrome*
16 x 10/8	✓	✓	
16 x 12/8.4	✓	✓	✓
16 x 12/8	✓	✓	
16 x 12/10 CSTB	✓	✓	✓
16 x 14/10	✓	✓	
16 x 16/10	✓	✓	✓
16 x 16/11	✓	✓	✓
16 x 16/11.6	✓	✓	✓
16 x 16/12	✓	✓	✓
16 x 16/12.4	✓	✓	✓
16 x 16/13 CSTB	✓	✓	✓
18 x 12/8	✓	✓	
18 x 12/10 CSTB	✓	✓	
18 x 14/10	✓	✓	✓
18 x 15/10	✓	✓	✓
18 x 16/10	✓	✓	✓
18 x 16/11.6	✓	✓	✓
18 x 16/12	✓	✓	✓
18 x 16/13 CSTB	✓	✓	✓

	Yellow	Nickel	Chrome*
18 x 17/13	✓	✓	✓
18 x 18/13	✓	✓	✓
18 x 18/14	✓	✓	✓
(3/4" x 18) x 12/8	✓	✓	
(3/4" x 18) x 12/10	✓	✓	
(3/4" x 18) x 14/10	✓	✓	
(3/4" x 18) x 15/10	✓	✓	
(3/4" x 18) x 16/11	✓	✓	
(3/4" x 18) x 16/11.6	✓	✓	
(3/4" x 18) x 16/12	✓	✓	
(3/4" x 18) x 16/12.4	✓	✓	
(3/4" x 18) x 16/13 CSTB	✓	✓	
(3/4" x 18) x 17/13	✓	✓	
(3/4" x 18) x 18/13	✓	✓	
(3/4" x 18) x 18/14	✓	✓	
(3/4" x 18) x 20/14.4	✓	✓	
(3/4" x 18) x 20/16 CSTB	✓	✓	
(1" x 24.7) x 20/16	✓		
(1" x 24.7) x 25/20	✓		

Line colours correspond to colour of bag where they are packed.

* for radiator valve 913

INSTALLATION

Follow the procedure to correctly install the adapter:

1. Cut the pipe vertically (perpendicular to the axis) by using a wheel pipe cutter
2. Be sure the pipe is free of internal burrs; remove any burr.
3. Put on the nut, pipe clamp and insert in this order
4. Couple the adapter and the valve and tighten the nut

